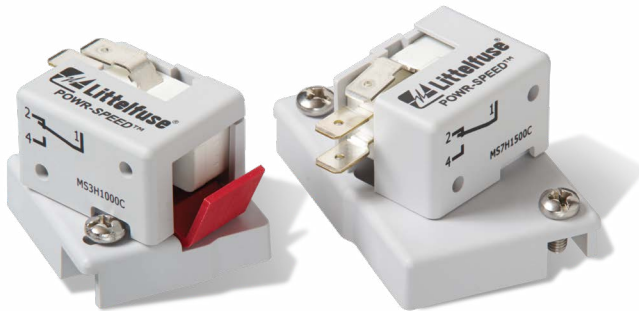


# POWR-SPEED® Accessories

## MS SERIES HIGH-SPEED FUSE MICROSWITCH

### Microswitch for Square Body Fuse



### Description

Littelfuse MS series external mount microswitches offer permanent blown fuse indication to PSR and PSX series high-speed square-body semiconductor fuses. They have one normally open (N.O.) and one normally closed (N.C.) contact rated for 4 A, 250 V ac.

These microswitches have a visual red flap or arm indicator that releases after fuse blown condition and can also be used for resetting the microswitch contacts.

### Features/Benefits

- Available in three sizes to fit PSR and PSX series fuses
- Internal microswitch UL recognized
- Red flap visual indicator and contact reset mechanism

### Specifications

<b>Voltage Rating</b>	See Electrical Characteristics table
<b>Amperage Rating</b>	See Electrical Characteristics table
<b>Operating Temperature</b>	-25 °C to +125 °C
<b>Relative Humidity</b>	85 %
<b>Contact</b>	Silver-nickel plated copper
<b>Approvals</b>	Internal microswitch part number: MS1-16Z0-A150, recognized under UL File: E176213
<b>Flammability</b>	UL 94 V0
<b>Environmental</b>	RoHS Compliant
<b>Country of Origin</b>	China

### Electrical Characteristics

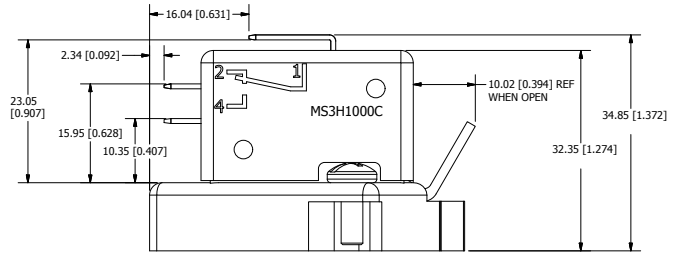
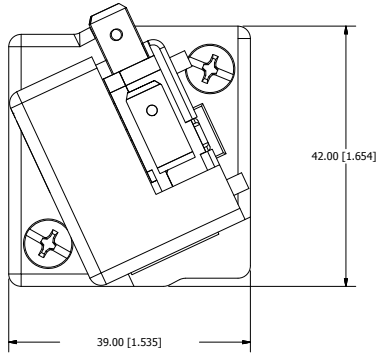
CATALOG NUMBER	ORDERING NUMBER	INDICATING STYLE	INSULATION VOLTAGE RATING	COMPATIBLE FUSE SERIES	FUSE CASE SIZE	NON-INDUCTIVE LOAD			PACK QUANTITY
						30 V DC	125 V AC	250 V AC	
MS3H1000C	MS3H1000C	Standard NO-NC	1000	PSR	30, 31, 32, 33	10 A	16 A	4 A	3 Pcs/Bag
MS7H1500C	MS7H1500C	Standard NO-NC	1500	PSR	70, 71, 72, 73	10 A	16 A	4 A	3 Pcs/Bag
MSXL2000C	MSXL2000C	Standard NO-NC	2000	PSX	1XL, 3XL	10 A	16 A	4 A	1 Pcs/Bag

# POWR-SPEED® Accessories

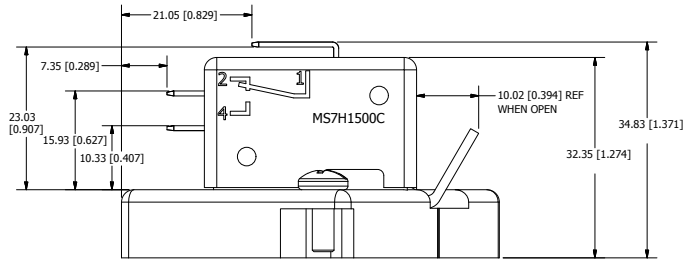
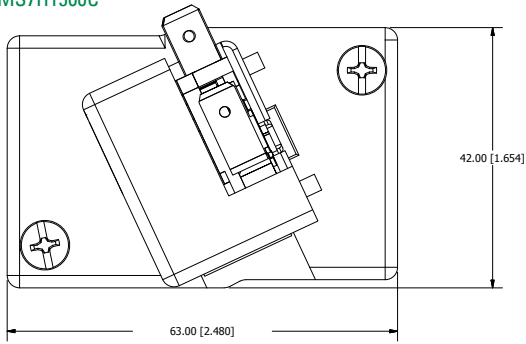
## MS SERIES HIGH-SPEED FUSE MICROSWITCH

### Dimensions

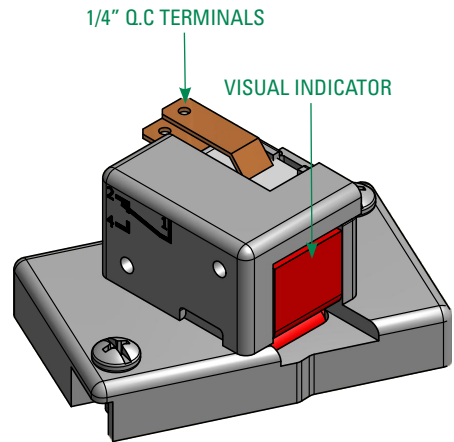
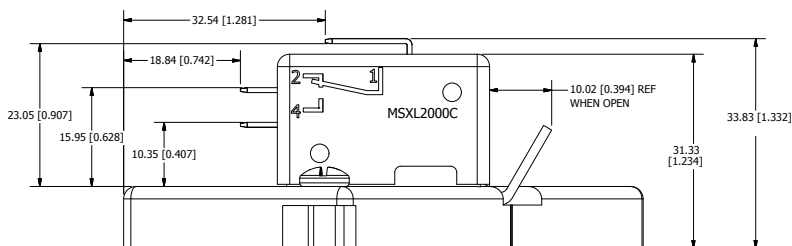
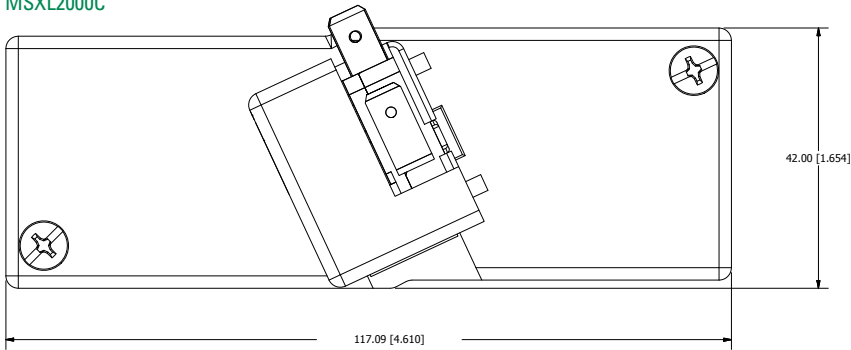
MS3H1000C



MS7H1500C



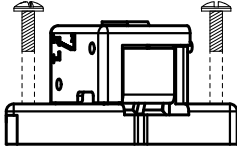
MSXL2000C





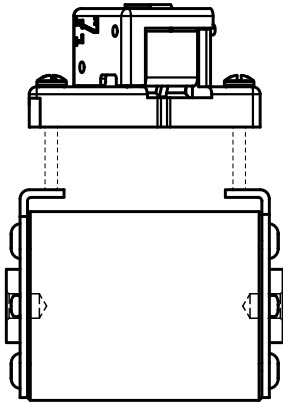
## Mounting Method

### Step 1



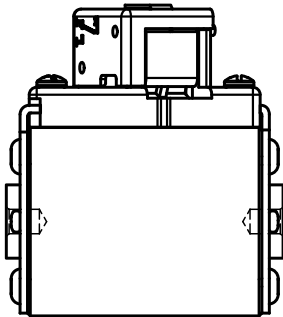
Fix the two M4 x 0.7 screws on the external indicator switch up to its screw heads.

### Step 2



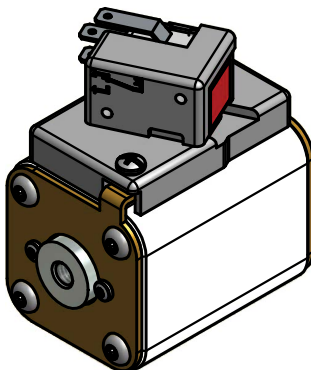
Align the two screws straight to the fuse indicator terminals.

### Step 3



Tighten the screws to the fuse indicator terminals at its maximum recommended torque values.

### Step 4



Recommended external indicator switch screws tightening torque:  
0.6 to 0.8 Nm or  
5.3 to 7 in-lbs

**Disclaimer Notice** – Information furnished is believed to be accurate and reliable. However, users should independently evaluate the suitability of and test each product selected for their own applications. Littelfuse products are not designed for, and may not be used in, all applications. Read complete Disclaimer Notice at [www.littelfuse.com/product-disclaimer](http://www.littelfuse.com/product-disclaimer).